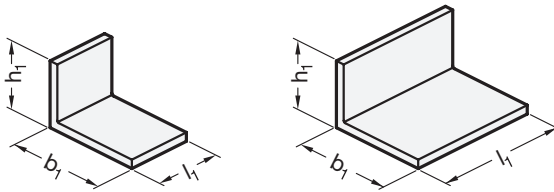
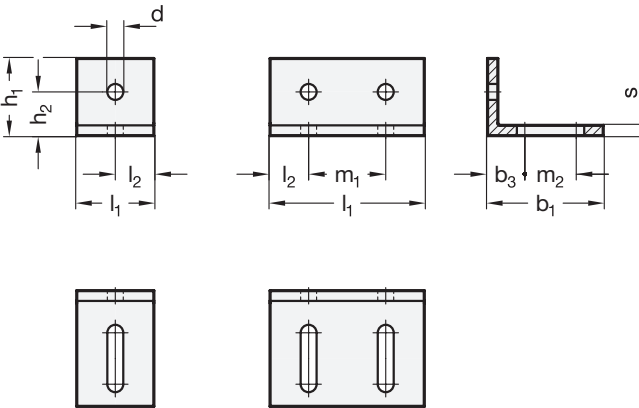


Type A



Type C



5 Type

- A without bores
- C with bores and slotted holes

h ₁	b ₁	l ₁	b ₃	d	h ₂	l ₂	m ₁	m ₂	s
30	45	30	18	6,2	18	15	-	20	4
30	45	60	18	6,2	18	15	30	20	4
40	60	40	24	8,2	24	20	-	25	5
40	60	80	24	8,2	24	20	40	25	5
50*	75	50	30	10,2	30	25	-	30	6
50*	75	100	30	10,2	30	25	50	30	6

* only available in version ALM

Specification

- Structural Steel drawn, with sharp edges blackened
- Aluminum pressed matte, ground
- RoHS

1 Information

STB GN 970 installation brackets are used universally for right-angle connecting and fastening of, e.g. base plates or covers.

ALM Type A allows for the use of drilling templates specific to the application as well as fastening by welding.

Type C installation brackets have one or two combinations of a hole and an elongated hole depending on the length l₁.

see also...

- Angle pieces, Shackles GN 967 → Page 1271

How to order

1	Material
2	h ₁
3	b ₁
4	l ₁
5	Type

GN970-STB-40-60-80-B

