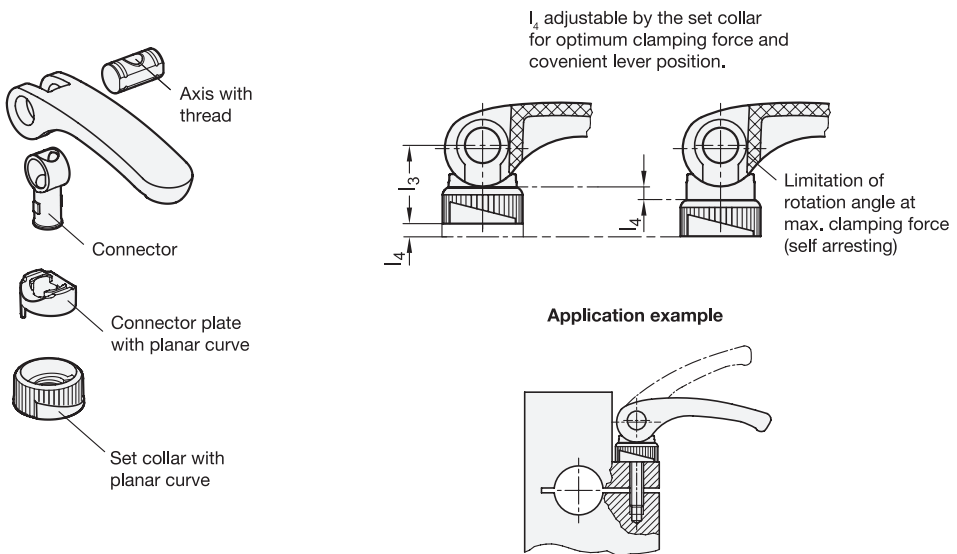




Constructional features (Type A) / Application example



2.1
2.2
2.3
2.4
2.5
2.6
2.7
2.8
2.9