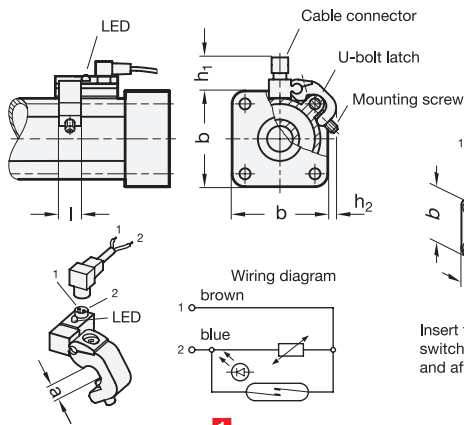
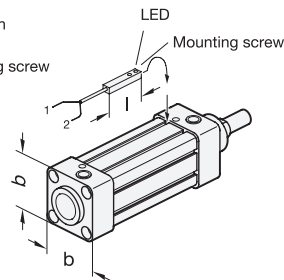


GN 896.1 / GN 896.2



GN 896.3



Insert the thinner part of the proximity switch into the provided slot, turn 90° and affix inside the slot via the mounting screw.



Toggle clamps	Proximity switches	b	h <sub>1</sub> ≈	h <sub>2</sub> ≈	Length l
GN 860-200-AP3-M	GN 896.2	44	24	10	14
GN 860-200-EP3-M	GN 896.2	44	24	10	14
GN 860-300-AP3-M	GN 896.2	50	27	11	14
GN 860-300-EP3-M	GN 896.2	50	27	11	14
GN 860-400-AP3-M	GN 896.1	62	24	10	14
GN 860-400-EP3-M	GN 896.1	62	24	10	14
GN 861-1000-EP-M	GN 896.3	65	-	-	30
GN 861-2000-EP-M	GN 896.3	75	-	-	30
GN 862-200-APV3-M	GN 896.2	44	24	10	14
GN 862-200-EPV3-M	GN 896.2	44	24	10	14
GN 862-300-APV3-M	GN 896.2	50	27	11	14
GN 862-300-EPV3-M	GN 896.2	50	27	11	14
GN 862.1-200-APV3S-M	GN 896.2	44	24	10	14
GN 862.1-200-EPV3S-M	GN 896.2	44	24	10	14
GN 862.1-300-APV3S-M	GN 896.2	50	27	11	14
GN 862.1-300-EPV3S-M	GN 896.2	50	27	11	14
GN 863-1000-EPV-M	GN 896.3	65	-	-	30
GN 863-2000-EPV-M	GN 896.3	75	-	-	30
GN 890-360-SP3-M	GN 896.2	44	24	10	14
GN 890-1100-SP3-M	GN 896.2	50	27	11	14
GN 890-2100-SP3-M	GN 896.1	62	26	10	14

## Information

With proximity switches GN 896.1 to GN 896.3 the toggle clamps can emit control signals. To do this the clamps must be assembled with a special cylinder with magnetic piston which will cause the electric contacts in the REED switch to close. The proximity switches with their mounting brackets can be set anywhere along the full stroke length of the cylinder.

Specification	GN 896.1	GN 896.2	GN 896.3	Electric cable PVC 2 wires, 2,5 m. If used on DC brown wire to be connected to +, for the diode to work.
Voltage range:	3 to 110 V AC/DC	3 to 110 V AC/DC	3 to 110 V AC/DC	
Switch load:	0,3 A	0,3 A	0,2 A	
Switch capacity (ind.):	10 VA	10 VA	6 VA	
Voltage drop LED:	3 V	3 V	3 V	
Temp. range:	- 20 °C to + 85 °C	- 20 °C to + 85 °C	- 20 °C to + 85 °C	
Slew rate:	0,6 ms	0,6 ms	0,5 ms	
Life expectancy:	10 <sup>7</sup> operations	10 <sup>7</sup> operations	10 <sup>7</sup> operations	
Protection class:	IP 67	IP 67	IP 67	

How to order

GN 896.1

1 Code