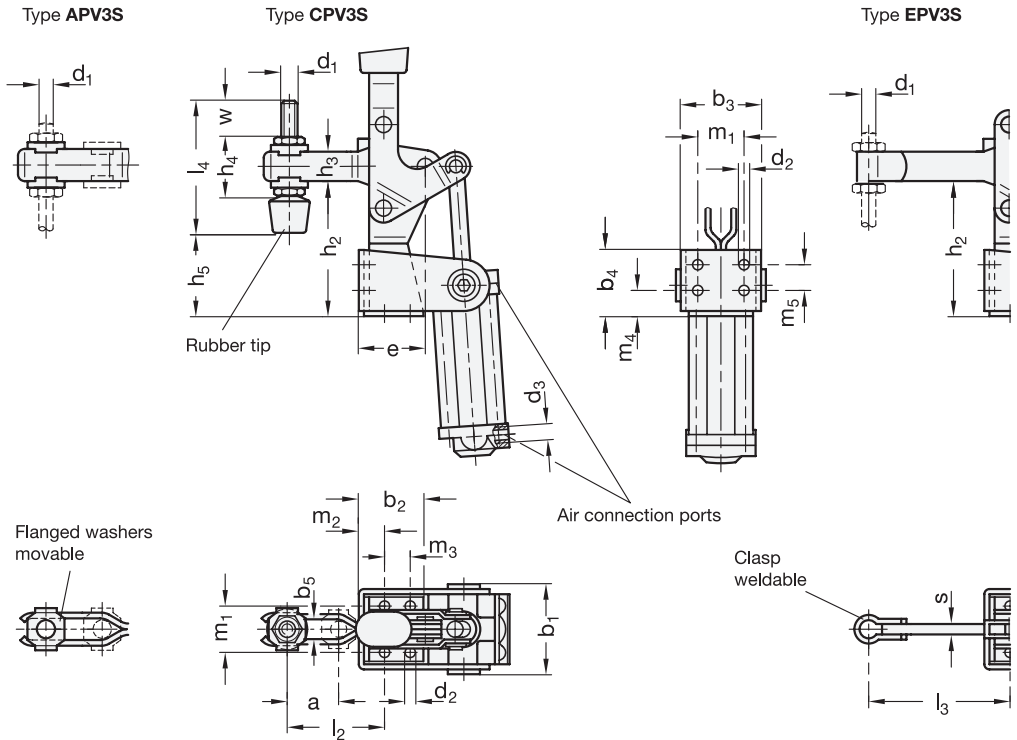


- 2 Type**
- APV3S** U-bar version, with two flanged washers
- CPV3S** U-bar version, with two flanged washers and GN 708.1 Spindle Assembly
- EPV3S** Solid bar version, with clasp
- 3 Coding**
- M** Magnetic piston

1

Size	F _H in N Holding capacity	F _S in N Clamping force at 4 bar ≈	a	b ₁	b ₂	b ₃	b ₄	b ₅	d ₁	d ₂	d ₃	Inside Ø Connection tube	e
200	1600	970	34	59,5	38,5	51	35	8,5	M 8	6,5	G1/8	4	39,5
300	2400	1050	42	68,5	53	60,5	50	10,3	M 10	8,5	G1/4	6	50,5

Size	h ₁	h ₂	h ₃	h ₄ ≈	h ₅	l ₁ ≈	l ₂ ≈	l ₃ ≈ max.	l ₄	m ₁	m ₂	m ₃	m ₄	m ₅	r ≈	s	w Adjustable range
200	296	78	17	29	54	150	59	80	68	26	14,5	16	11	16	98	6	21
300	360	108	20	35	79,5	187	74	104	77	30	16,5	28	12	30	122	8	21



Specification

- Parts in sheet metal
Case-hardened steel C10
zinc plated, blue passivated
- Bearing pins hardened
- Bearing rivets case-hardened
- Air cylinder bearing pins
case-hardened
- Double-action air cylinder
max. pressure 6 bar
- All moving parts
lubricated with special grease
- Solid moulded plastic handle sleeve
red, oil resistant
- Spindle assembly GN 708.1, type A
- Steel, zinc plated
- Rubber tip 85 Shore A

• RoHS

Accessory

- Spindle assemblies → Page 29 ff.
- Clamp mounts GN 801 (for toggle clamps)
(for type APV3S) → Page 34
- Clamp mounts GN 809 (for toggle clamps)
(for type EPV3S) → Page 35
- Proximity switches GN 896.2 → Page 28

Information

GN 862.1 Toggle clamps are built from the same construction as GN 862.

The special features of these clamps are that they can be mounted in two different planes, and they can also be operated manually via the grip handle. For example, they can individually be manually closed, and then all clamps can be opened at once via the pneumatic function.

To ensure an extended life of the mechanical parts as well as the air cylinders the operating pressure should not exceed 6 bar.

GN 862.1 Toggle clamps are also available as a version M (magnetic piston). In conjunction with GN 896.2 proximity switches, the end position can be sensed and the generated impulse can be used to transmit an electrical signal.

see also...

- More information for toggle clamps (pneumatic) → Page 12

How to order (without magnetic piston)

1
2
GN 862.1-300- EPV3S

1	Size
2	Type

How to order (with magnetic piston)

1
2
3
GN 862.1-200-APV3S-M

1	Size
2	Type
3	Coding