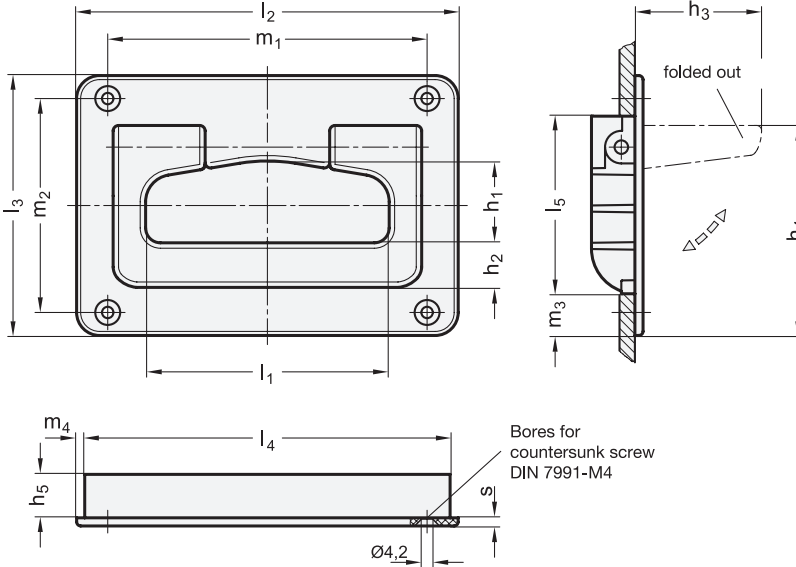




elesa

ELESA original design MPR.



l_1	h_1	h_2	h_3	h_4	h_5	l_2	l_3	l_4	l_5	$m_1 \pm 0,1$	$m_2 \pm 0,1$	m_3	m_4	s
90	29	16,5	47	77	16	141	96	135	65	118	79	16	3	3

Specification



- Plastic
Polyamide PA
- glass fiber reinforced
- temperature resistant up to 100 °C
- Color (matte):
black, RAL 9005 **SW**
gray, RAL 7040 **GR**
white, RAL 9002, Cleanline **CL**
- Pin
Stainless Steel AISI 303
- Return spring
Stainless Steel AISI 302
- *Strength properties* → Page XYZ
- *Plastic characteristics* → Page 1483
- *Stainless Steel characteristics* → Page 1489
- **RoHS compliant**

Information

The folding handles with recessed tray GN 825.2 are used if the handle is to protrude by a maximum of 3 mm when folded down.

After releasing the handle, it returns to its starting position by spring-loaded return.

see also...

- *Folding handles with recessed tray GN 425.8 (with handle locking or spring-loaded return)* → Page 124
- *Folding handles GN 825.1 (Plastic, with spring-loaded return)* → Page 128

How to order

GN825.2-90-SW

1 l_1

2 Color



Folding handle with recessed tray GN 825.2
Folding handle GN 825.1 → Page 128

Installation dimensions

