

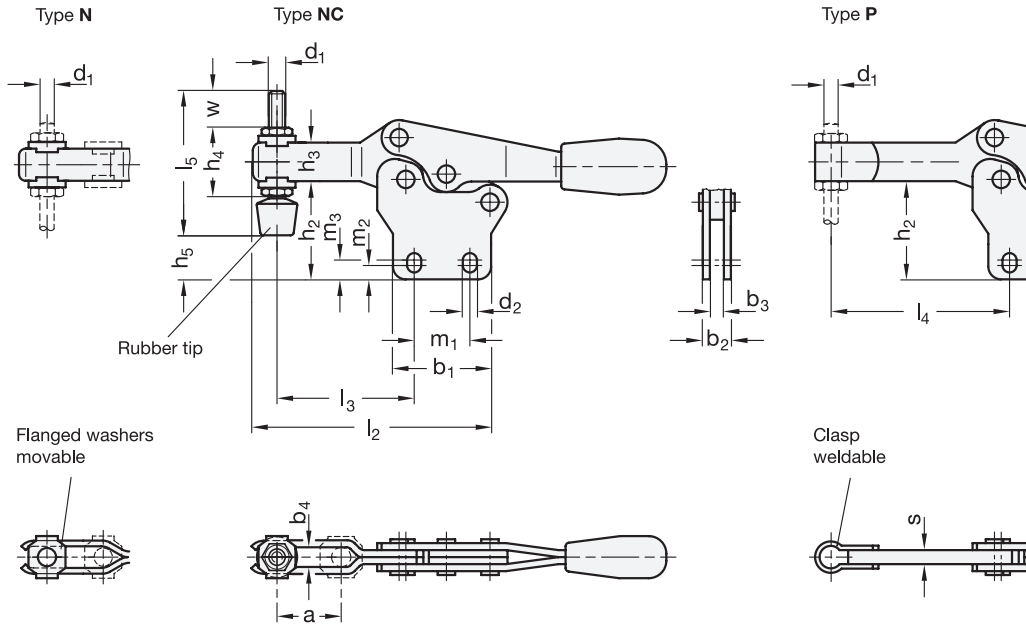
ROSTFREI
Rost
frei
Inox
Stainless
Steel

- 2 Type**
- N** U-bar version, with two flanged washers
 - NC** U-bar version, with two flanged washers and GN 708.1 spindle assembly
 - P** Solid bar version, with clasp

1

Size	Steel	Stainless Steel	F _H in N	Holding capacity	a ≈	b ₁	b ₂	b ₃	b ₄	d ₁	d ₂	h ₁ ≈	h ₂	h ₃	h ₄	h ₅ max.
75	75	75	900		20	28	8	4	5,5	M 5	4,5	45,5	27,5	11	19	12,5
130	130	130	1000		32	36	10	5	6,5	M 6	5,5	64	44	16	25,5	27,5
230	230	230	1700		37	44	12	6	8,5	M 8	6,5	75	50	18	30	26
355	-	-	1800		58	60	14	7	10,4	M 10	8,5	102	69	22	37	42,5
455	-	-	3200		65	70	18	10	12,4	M 12	8,5	119	80,5	26	43	48

Size	Steel	Stainless Steel	l ₁ ≈	l ₂ ≈	l ₃ ≈	l ₄ max.	l ₅	m ₁	m ₂	m ₃	r ≈	s	w	Adjustable range
75	75	75	118	68	40	49,5	45	13,5	3,5	5	43	4	15	
130	130	130	170	92	53	64	55	26	5,8	8,8	62	5	17,5	
230	230	230	196	109	63,5	78	68	26	6,5	9	73	6	20	
355	-	-	270	161	96	115	77	41	7,5	9,6	110	7	19	
455	-	-	309	186	116	135	100	41,5	11	12,5	128	10	33	



Specification

- Steel —
 - Case-hardened steel C10 zinc plated, blue passivated
 - Bearing pins tempered
 - Bearing rivets (for size 355 and up) case-hardened
- Stainless Steel NI
 - AISI 304
- All moving parts lubricated with special grease
- Hand grip
 - High quality, oil resistant, red plastic
- Spindle assembly GN 708.1, type A
 - Steel, zinc plated / Stainless Steel, AISI 304
 - Rubber tip 85 Shore A
- RoHS compliant

Accessory

- Spindle assemblies → Page 585 ff.
- GN 801 Clamp mounts for toggle clamps (for type N) → Page 590
- GN 809 Clamp mounts for toggle clamps (for type P) → Page 591

Information

GN 820.1 horizontal acting toggle clamps work according to the toggle principle: lever and clamping bar move in the opposite direction.

They require less space for the clamping action. In the clamped position the operating lever is in its horizontal position.

Horizontal acting toggle clamps in the U-bar version with two flanged washers (Type N) can accommodate an application specific clamping screw. A spindle assembly with neoprene rubber tip is also included for Type NC.

Type P version can either be utilized by welding the clasp which can then accommodate an application specific hold-down fastener component, or by utilizing the bar in conjunction with the GN 809 clamp mounts to hold the work piece in place.

see also...

- General information for toggle clamps → Page 500
- Horizontal acting toggle clamps GN 820 (with horizontal base)

→ Page 520

How to order (Steel)	
1	Size
GN 820.1-355-N	
2	Type

How to order (Stainless Steel)	
1	Size
2	Type
3	Material
GN 820.1-130-P-NI	

