

ELESA original design HCX+ST

2 Type
NO normally open
NC normally closed

1

l_1	b	d	l_2	l_3	l_4	l_5	l_6	l_7	l_8	l_9	$s \approx$ max. wall thickness
127	31	M 12	23	80	161	23	17	18	26	41	12
254	35	M 12	21	203	291	26	18,5	18	24	41	12

Specification

- Body Plastic
crystal-clear Polyamide (PA -T)
- ageing resistant
- high mechanical strength
- temperature resistant up to 90 °C
- solvent resistant,
but not suitable for alcohol
- avoid contact with hot water
- Reflector Aluminum
- white lacquered
- with two black marking lines
- O-Rings
Rubber NBR (Perbunan®)
- Set screw, hexagon nut,
serrated lock washer
Steel zinc plated, blue passivated
- IP Protection classes → Page xx
- Elastomer characteristics → Page xx
- RoHS compliant

On request

- Oil level indicators GN 650.6 with other temperature settings

Information

Oil level indicators GN 650.6 are used not only for inspecting the fluid level but also for triggering an electric pulse once a certain temperature is reached.

In its standard design the temperature sensor is set such that a contact closes or opens when a temperature of 80 °C is reached (REED switch).

The polyamide body consists of two parts, welded to each other with ultrasound for absolute tightness.

Oil level indicators GN 650.6 can also be used in containers or vessels under pressure. Test series results of pressure load resistance are available.

see also...

- Oil level indicators GN 650.8 (with temperature sensor)
- Oil level indicators GN 650.5 (with electrical oil level monitoring)
- Oil level indicators GN 650.3 (with electrical oil level monitoring)

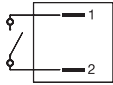
How to order

GN 650.6-254-NC

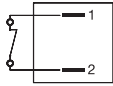
1	l_1
2	Type

Electrical specifications

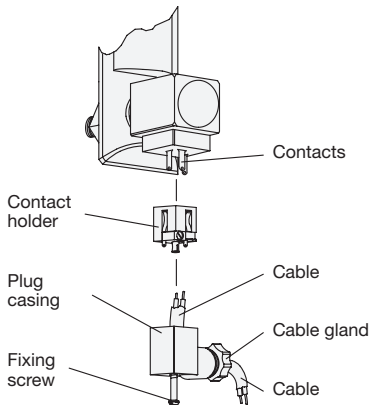
Type NO
normally open



Type NC
normally closed

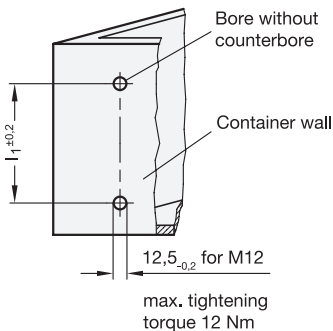


max. switching voltage / max. switched current:	250 Vac, 10 A 48 Vdc / 5 A
Connector plug:	DIN EN 175301-803 Type C
Protection class:	IP 65
Cable gland:	PG 7, for cable-Ø from 6 to 7 mm
max. cable cross-section:	2 x 1,5 mm ²



Assembly sequence for cable connection

1. Loosen the fixing screw and pull off the connector plug.
2. Push the contact holder out off the connector casing.
3. Loosen the cable gland, feed the cable through the connector casing and connect to the contact holder.
4. Push the contact holder back into the connector casing and tighten the cable gland for strain relief grip / seal.
5. Push the connector plug over the contacts of the oil level indicator and secure with fixing screw.



Assembly instruction

Two 12,5 Ø bore holes in the container wall are sufficient to mount the GN 650.6 oil level indicator with nuts.

The oil level indicator can also be mounted directly, i.e. without nuts, if the container wall has two M12 threads.

2.1
2.2
2.3
2.4
2.5
2.6
2.7
2.8
2.9