

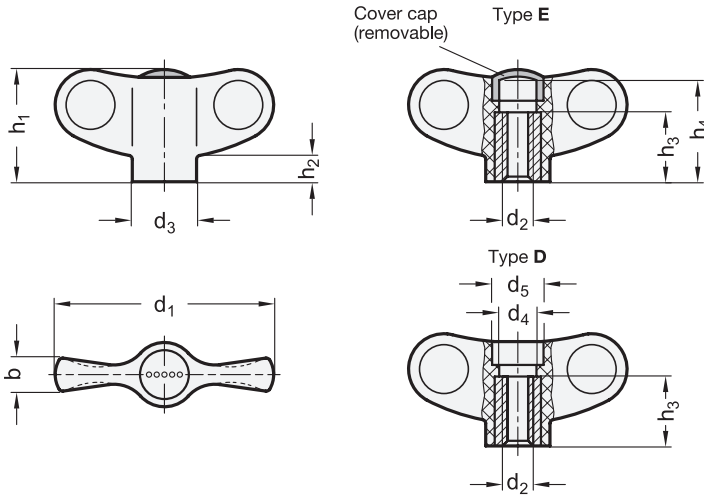


ELESA Original design EWN



3 Type

- E** with threaded blind bore (cover cap)
- D** with threaded through bore



1 d ₁	2 d ₂ GN 634			2 d ₂ GN 634.1		d ₃	d ₄	d ₅	b	h ₁	h ₂	h ₃	h ₄
48	M 5	M 6	M 8	M 6	M 8	13,5	8,5	10	7	24	5,5	12	22
55	M 6	M 8	-	M 8	-	16	10,5	12	8	28	6,5	18	25
63	M 8	M 10	-	M 10	-	19	10,5	14	9	32	7,5	20	29
70	M 8	M 10	-	M 10	-	20	13	15	10	36	8	20	32

Specification

- Plastic
Technopolymer (Polyamide PA)
- glass fiber reinforced
- temperature resistant up to 130 °C
- black-gray, matte similar to RAL 7021

GN 634

Bushing brass

GN 634.1

Bushing Stainless Steel AISI 303

- Color of the cover cap (matte):

- black-gray, RAL 7021
- orange, RAL 2004
- gray, RAL 7035
- yellow, RAL 1021
- blue, RAL 5024
- red, RAL 3000

- DSG
- DOR
- DGR
- DGB
- DBL
- DRT

• Plastic characteristics → Page 1483

• Stainless Steel characteristics → Page 1489

• RoHS compliant

On request

- all in Stainless Steel

Information

Design and handling of the wing nuts GN 634 / GN 634.1 comply with the requirements and claims of the Ergostyle® product family.

see also...

- Product family Ergostyle® → Page 17
- Wing nuts GN 640 (with smaller diameter) → Page XYZ
- Clamping elements GN 826 (for adjustable spindles) → Page 268

How to order (Bushing brass)	1 d ₁
	2 d ₂
GN 634-55-M8-E-DSG	3 Type
	4 Color of the cover cap

How to order (Bushing Stainless Steel)	1 d ₁
	2 d ₂
GN 634.1-55-M8-E-DSG	3 Type
	4 Color of the cover cap