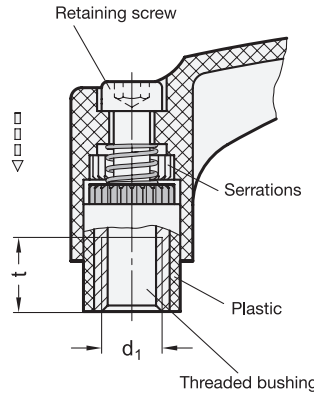
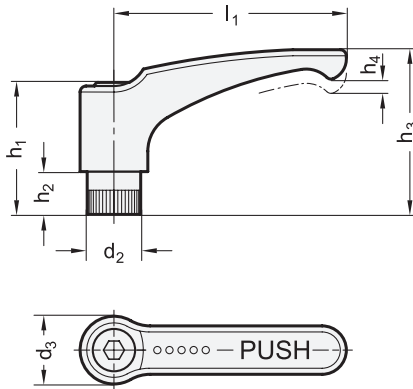




ELESA Original design ERS.



1.1
1.2
1.3
1.4

1			2			d ₂	d ₃	h ₁	h ₂	h ₃	h ₄ Stroke	t min.
l ₁	d ₁											
44	M 4	M 5	M 6	12	15,5	29	9	36	3,5	10		
63	M 6	M 8	-	15	19	37	12	48	4	13		

2.1

Specification

- Handle
Plastic
Technopolymer (Polyamide PA)
- glass fiber reinforced
- temperature resistant up to 130 °C
- black-gray, RAL 7021 ● SG
- Threaded bushing and retaining screw
Steel, blackened
- Plastic characteristics → Page 1483
- RoHS

3

Information

The design and handling of the adjustable hand lever GN 604.2 satisfy the high standards of the Ergostyle® product family.

Safety hand levers GN 604.2 are used where the inadvertent loosening or readjustment can result in accidents.

If not operated, the lever is not linked to the threaded insert, i.e. the adjustable lever turns freely.

As soon as the lever hub is pushed down, both serrations will engage, allowing the fixture to be released or clamped.

After „releasing“, the connection disengages through spring tension.

see also...

- Product family Ergostyle® → Page 17
- Safety tension levers GN 312 → Page 360
- Safety star knobs GN 5337.3 → Page 410

2.2

2.3

2.4

How to order	1	l ₁
GN 604.2-63-M8-SG	2	d ₁
	3	Color

