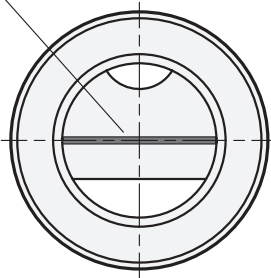
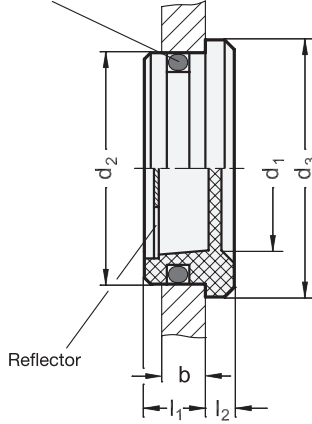


red oil level mark



O-ring



ELESA Original design HE.

**4 Type**

- A with reflector
- B without reflector

2

3

d <sub>1</sub> Window glass	d <sub>2</sub> H11 Bore-Ø	d <sub>3</sub>	b min.	l <sub>1</sub>	l <sub>2</sub>
9	17	18	5	7	3
12	20	21	6	7	3
17	26	28	6	7	3
20	30	32	7	8	4
25	35	38	8	9	4
28	40	43	9	10	4
32	45	47	9	11	5

**Specification**

- Body  
Plastic  
crystal-clear Polycarbonat (PC)  
- high mechanical strength  
- temperature resistant up to 100 °C  
- not solvent resistant  
- not alcohol resistant
- O-Ring  
Rubber NBR (Perbunan®)
- Reflector  
Aluminum  
- white lacquered  
- with red mark for oil level
- ISO-Fundamental Tolerances → Page 1263
- Elastomer characteristics → Page 1483
- Plastic characteristics → Page 1483
- RoHS compliant

NO

1

**Information**

This oil level sight glass GN 542 do not require a thread.  
The window glass is recessed, giving better protection to the window.

**Assembly instruction:**

Press in the oil level sight glass manually, then possibly use an intermediate layer such as wood or a hammer. Chamfer hole 1x45° and grease slightly the outside surface of the O-ring to make assembly easier.

How to order

GN 542-NO-17-26-A

- 1 Material
- 2 d<sub>1</sub>
- 3 d<sub>2</sub>
- 4 Type

3.1  
3.2  
3.3  
3.4  
3.5  
3.6  
3.7  
3.8  
3.9