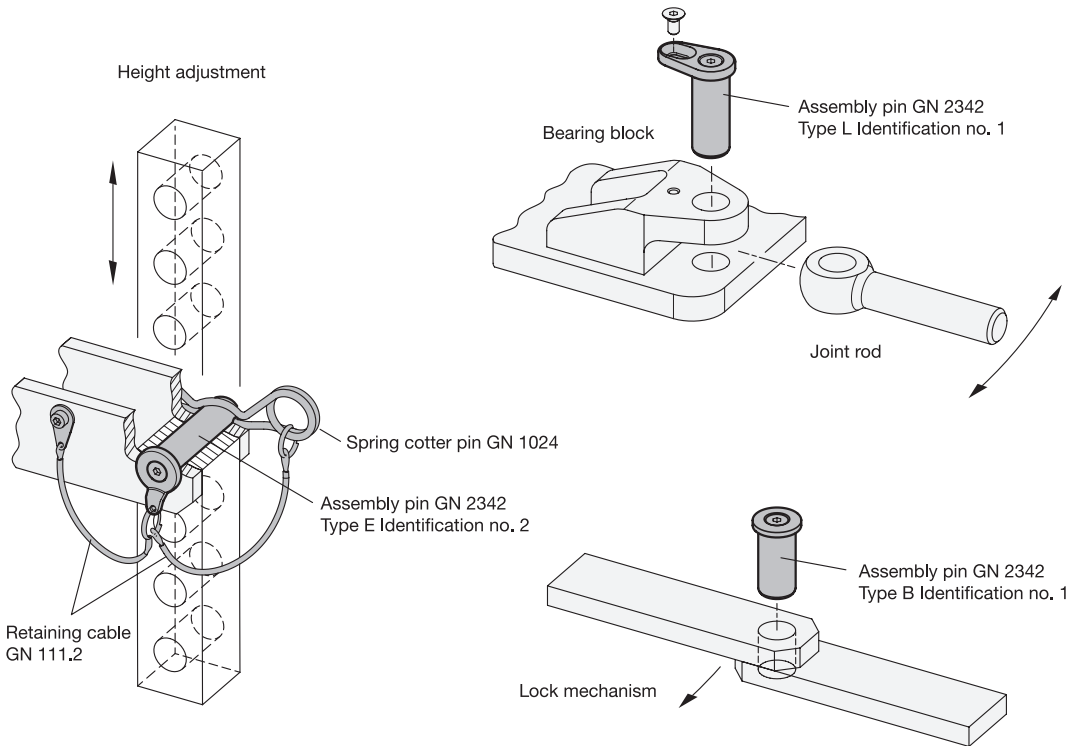


Application example



Specification

- Assembly pin
Stainless Steel AISI 304 **NI**
- Washer
Stainless Steel
 - Type B: turned AISI 304
 - Type E: metal injection molded AISI 316 LHC
 - Type L: sintered AISI 316 LHC
- Countersunk screw DIN 7991
 - Stainless Steel AISI 304
 - not removable loctited
- *Stainless Steel characteristics* → Page 1489
- **RoHS compliant**

Accessory

- Spring cotter pins GN 1024 → Page 880
- Ball chains GN 111 / GN 111.5 → Page 876
- Retaining cables GN 111.2 → Page 877
- Key rings GN 111.3 → Page 876

Information

GN 2342 Stainless Steel-Assembly pins are characterized by their use in diverse applications. Depending on the requirement there are three washer types to choose from, which place the assembly pin in an axial position in its insertion direction. With the washer with eyelet (Type E) the assembly pin and a corresponding GN 1024 spring cotter pin can be secured to prevent loss using a retaining cable or ball chain. The washer with mounting shackle (Type L) simultaneously acts as loss protection and anti-rotation protection.

Assembly pins according to identification no. 2 are secured against falling out via a transverse drill hole which is aligned to the GN 1024 spring cotter pin.

see also...

- *List of lock pin types* → Page 746 ff.
- *Stainless Steel-Retaining washers GN 2344* → Page 762

How to order

1	Material
2	d _i
3	l ₁
4	Type
5	Identification no.

GN 2342-NI-10-24-B-2