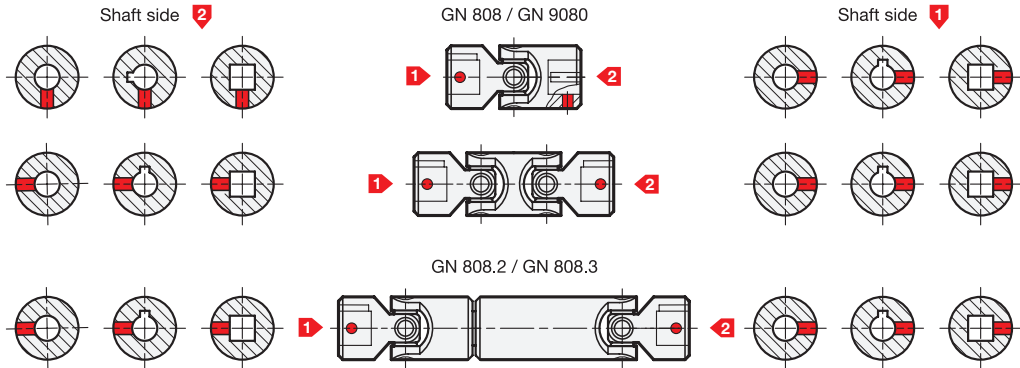


Positioning of radial cross hole in relation to keyway / square for



$d_1$ H7 / $s$ H11		$d_2$ H11 for bore code		$d_3$	Length $l$ for bore code	
		K / V	B		K / V	B
6	-	2	2	M 3	4	4
8	-	3	3	M 5	5,5	5,5
10	-	3	4	M 5	5,5	6
12	14	4	5	M 6	6,5	7
16	18	5	6	M 6	8	9
20	-	5	8	M 6	8	10
22	-	6	8	M 6	10	10
25	-	6	10	M 8	10	14
30	32	6	12	M 8	14	16
35	-	6	12	M 8	16	16

Information

Cross holes in universal joint shafts and in universal shafts are ideal for the production of shaft-hub links using a pin or a thrust screw. For bore holes with a feather key groove or square, they serve to secure the axial position of universal joint and shaft. The  $d_2$  pin bore with H11 tolerance is intended for use with coiled spring pins.

The position of the cross holes / the threaded hole with reference to the hub key slot / the square or of the universal joints is shown in the overview.

Should one of the joint sides be delivered **without cross holes / threaded holes**, this is indicated with **QX** on the desired location of the article number.

How to order	1	Shaft side 1
	2	Shaft side 2
GN 110.1-QX-GE		

